

## I Flange Ignition Coil

P/N 06.50.035

### Dimensions

- Length 164.8 mm (6.49")
- Coil diameter 60.5 mm (2.38")
- Flange diameter 106 mm (4.17")
- Distance between fastening screws (Ø) 83.8 mm (3.30")

### Connections

- Primary side Mil. 3 pole, 5/8-24 UNEF
- Secondary side female
- Torque primary side 3 Nm (2.2 lb-ft) ± 10 %

### Mechanical Data

- Weight Approx. 0.85 kg (1.87 lbs)
- Permissible vibrations 5 g at 20 Hz to 2,000 Hz
- Torque of fastening screws on the flange max. 25 Nm (18.4 lb-ft)

### Climatic Environmental Conditions

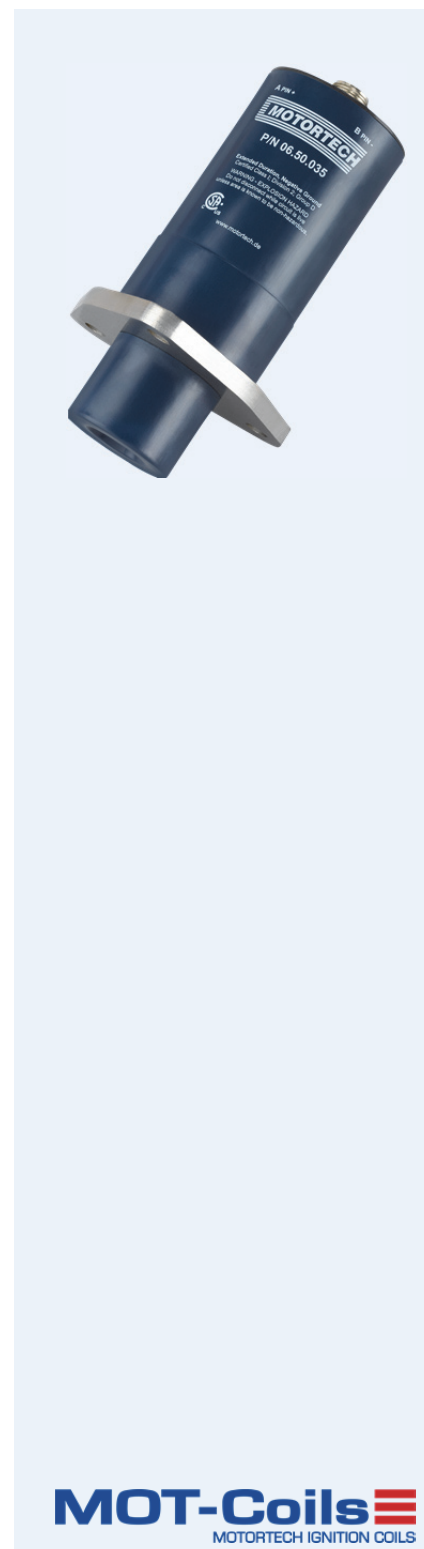
- Permissible operating temperature -20 °C to +95 °C (-4 °F to +203 °F)
- Permissible storage temperature -40 °C to +120 °C (-40 °F to +248 °F)
- Maximum relative humidity 95 %

### Electrical Data

- Maximum secondary voltage 40.5 kV ± 2.5 kV
- Resistance primary side 0.25 Ω ± 0.1 Ω
- Resistance secondary side 6.5 kΩ ± 0.5 kΩ

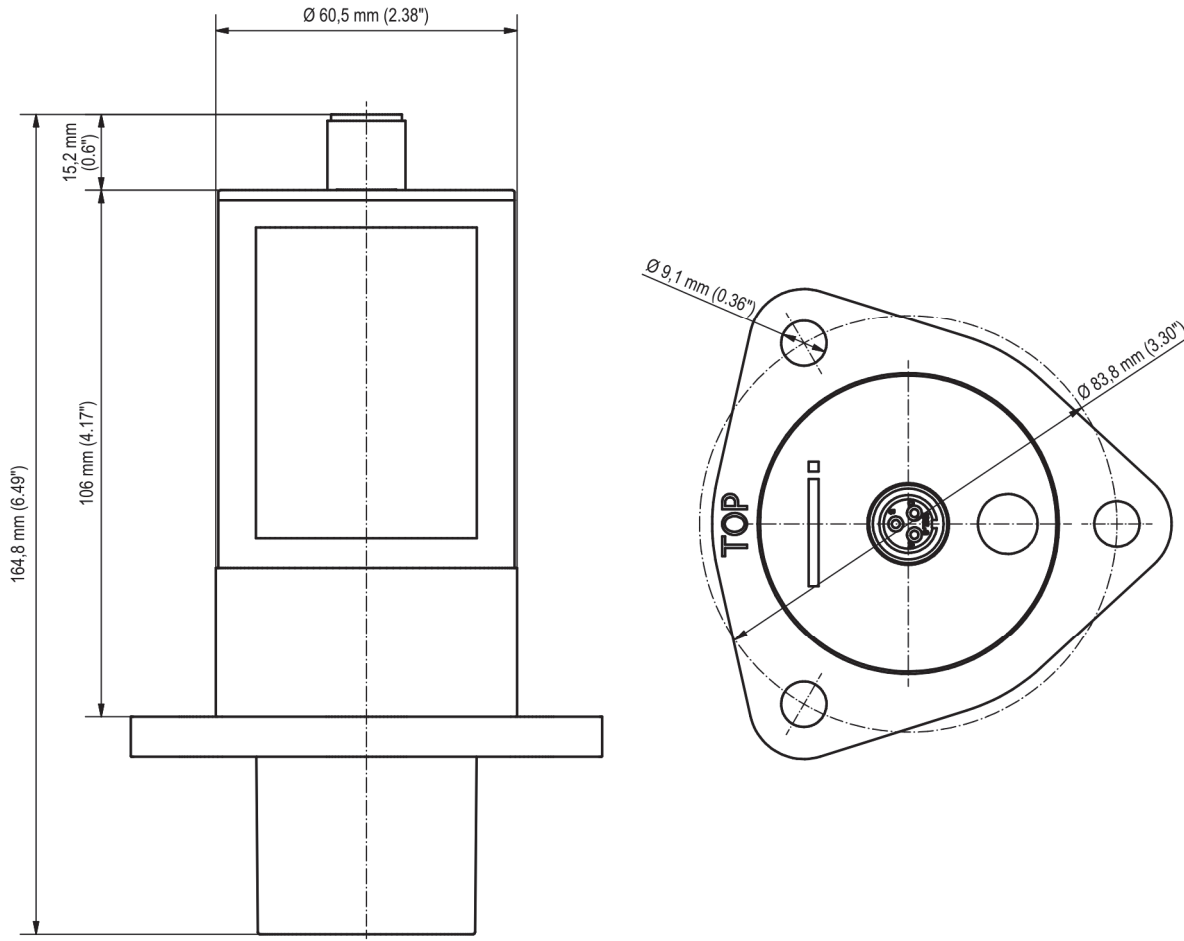
### Compatibility

- Equivalent to the following ignition coil 591018
- Compatible ignition controllers MIC500, ALT I, ALT III, ALT V, CD1, CD200, CD200D, DISN, CPU90, CPU95, CEC
- Compatible technologies Spark Reference<sup>1)</sup>



1) Spark Reference – ALTRONIC® high voltage indication system

## Overview Drawing



## Coil Circuit Diagram

