

## Ignition Coil

P/N 06.50.061

### Dimensions

• Length	128.7 mm (5.07")
• Coil body diameter	61 mm (2.4")
• Width of bracket	97 mm (3.8")
• Height	72 mm (2.8")
• Distance between fastening screws	Max. 75 mm (2.95")

### Connections

• Primary side	10-32 UNF
• Secondary side	M6
• Torque primary side	3 Nm (2.2 lb-ft) ± 10 %
• Torque secondary side	10 Nm (7.4 lb-ft) ± 10 %

### Mechanical Data

• Weight	Approx. 0.85 kg (1.87 lbs)
• Permissible vibrations	5 g at 20 Hz to 2,000 Hz
• Torque of fastening screws on the ignition rail	16 Nm (11.8 lb-ft) ± 10 %

### Climatic Environmental Conditions

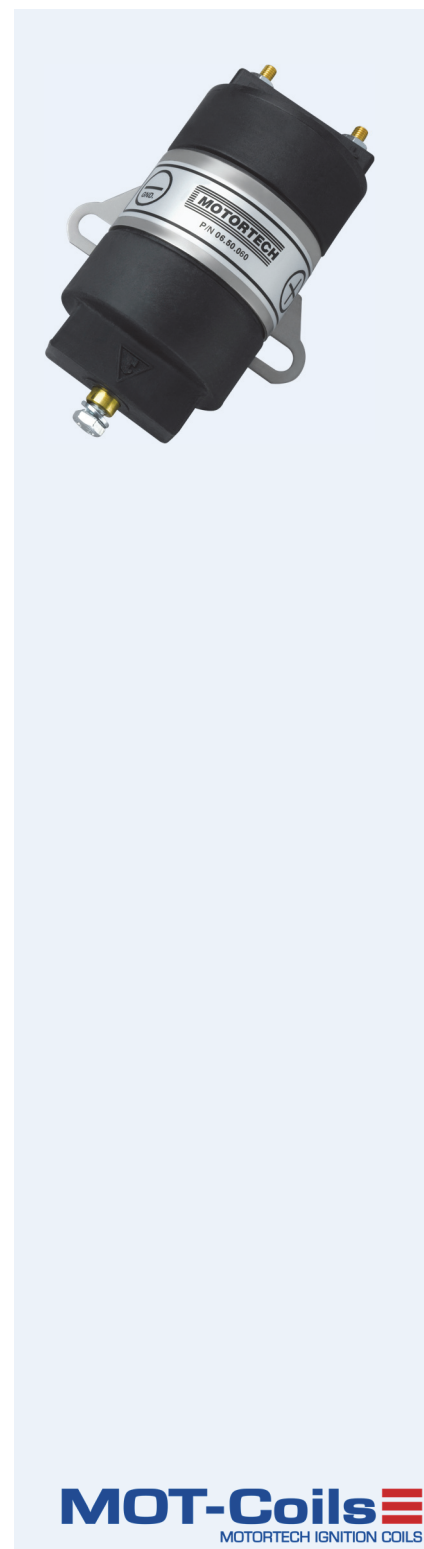
• Permissible temperature range	-20 °C to +95 °C (-4 °F to +203 °F)
• Maximum relative humidity	95 %

### Electrical Data

• Maximum secondary voltage	45 kV
• Resistance primary side	0.4 Ω ± 0.2 Ω
• Resistance secondary side	8 kΩ ± 1 kΩ

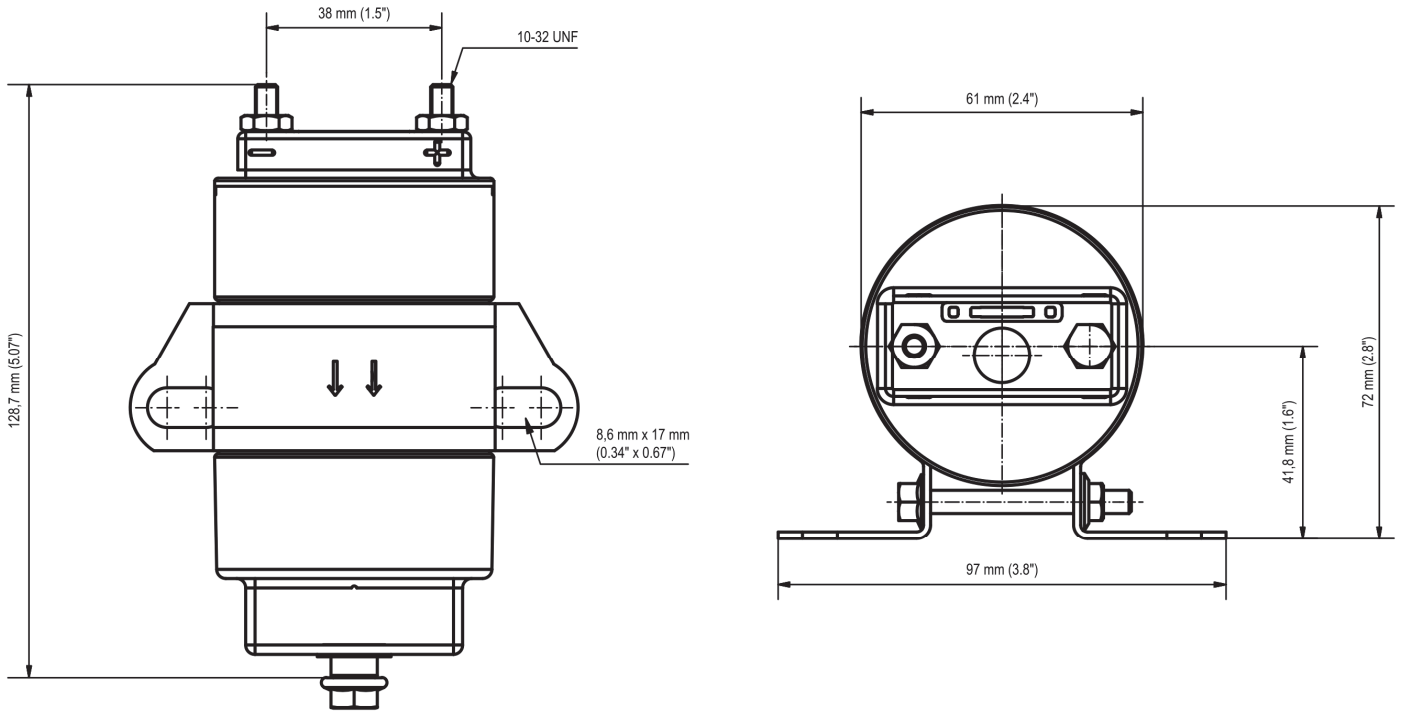
### Compatibility

• Compatible ignition controllers	MIC500, ALT I, ALT III/ALT V, CD1, CD200, CD200D, DISN, CPU90, CEC
• Compatible technologies	Spark Reference <sup>1)</sup>



<sup>1)</sup> Spark Reference – ALTRONIC® high voltage indication system

## Overview Drawings



## Coil Circuit Diagram

