

## Ignition Coil

P/N 06.50.105

### Dimensions

- length 161.6 mm (6.36")
- width 101.2 mm (3.98")
- height 72 mm (2.83")
- distance between fastening screws 73 mm (2.87")

### Connections

- primary side N10-32UNF
- secondary side female
- torque primary side 3 Nm (2.2 lb-ft) ± 10%
- torque secondary side 10 Nm (7.4 lb-ft) ± 10%

### Mechanical Data

- weight approx. 1 kg (2.2 lb)
- permissible vibrations 5g at 20 Hz to 2000 Hz
- torque of fastening screws on the ignition rail 16 Nm (11.8 lb-ft) ± 10%

### Climatic Environmental Conditions

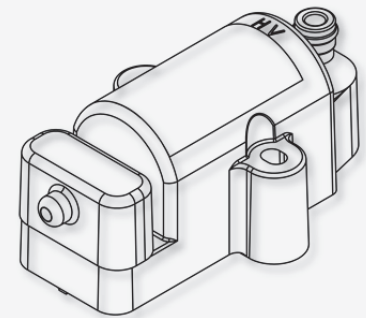
- permissible temperature range -20 °C to +95 °C (-4 °F to +203 °F)
- maximum relative humidity 95%

### Electrical Data

- maximum secondary voltage 45 kV
- resistance primary side 0.55 Ω ± 0.1 Ω
- resistance secondary side 9.9 kΩ ± 1 kΩ

### Compatibility

- compatible ignition controllers MIC3, MIC4, MIC5
- compatible technologies MOST<sup>1)</sup>



<sup>1)</sup> MOST – MOTORTECH Output Stage Technology used in MOTORTECH ignition controllers

## Overview Drawings

