

Shielded Ignition Coil

P/N 95.08.003

Dimensions

- Length 176.5 mm (6.95")
- Diameter of coil body 62 mm (2.44")
- Distance of mounting screws 65 mm to 78 mm (2.56" to 3.07")

Connections

- Primary side MIL., 2 pole, pin, 3/4-20 UNEF
- Secondary side 1-20 UNEF
- Torque primary side 3 Nm \pm 10 % (2.2 lb-ft \pm 10 %)
- Torque secondary side 5 Nm \pm 10 % (3.7 lb-ft \pm 10 %)

Mechanical Data

- Weight Approx. 1.2 kg (2.6 lbs)
- Permissible vibrations 5 g at 20 Hz to 2,000 Hz
- Torque for mounting screws on MOTORTECH wiring rail 16 Nm \pm 10 % (11.8 lb-ft \pm 10 %)

Climatic Environmental Conditions

- Permissible temperature range during operation $-20\text{ }^{\circ}\text{C}$ to $+100\text{ }^{\circ}\text{C}$ ($-4\text{ }^{\circ}\text{F}$ to $+212\text{ }^{\circ}\text{F}$)
- Permissible temperature range for storage $-40\text{ }^{\circ}\text{C}$ to $+120\text{ }^{\circ}\text{C}$ ($-40\text{ }^{\circ}\text{F}$ to $+248\text{ }^{\circ}\text{F}$)
- Maximum relative humidity 95 %

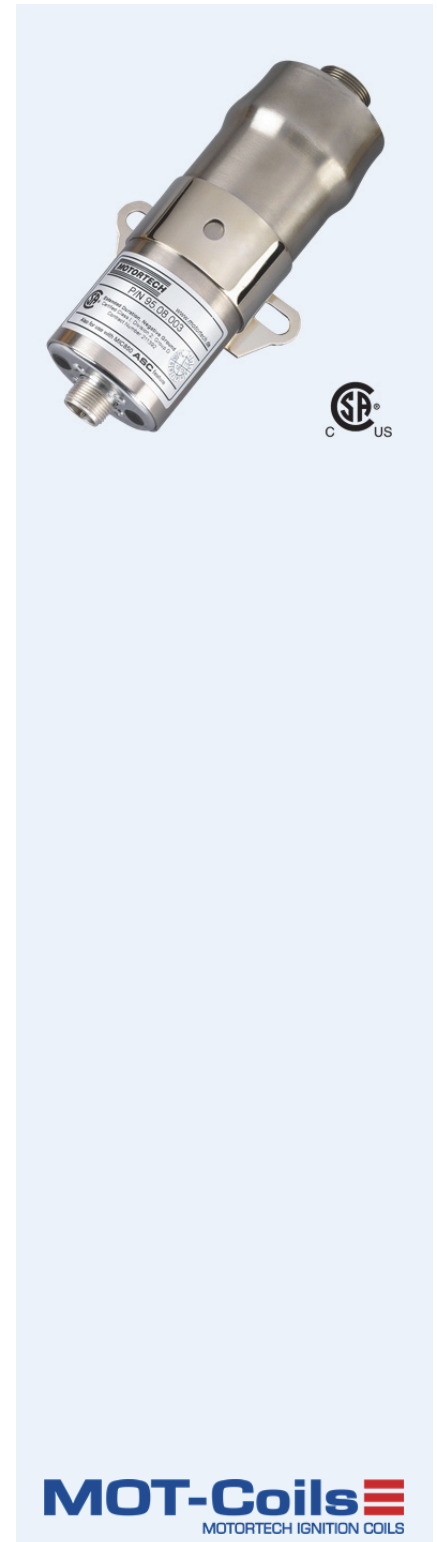
Electrical Data

- Maximum secondary voltage 40 kV \pm 2.5 kV
- Resistance primary side 0.6 Ω \pm 0.1 Ω
- Resistance secondary side 11 k Ω \pm 0.5 / -2.0 k Ω
- Polarity Negative ground

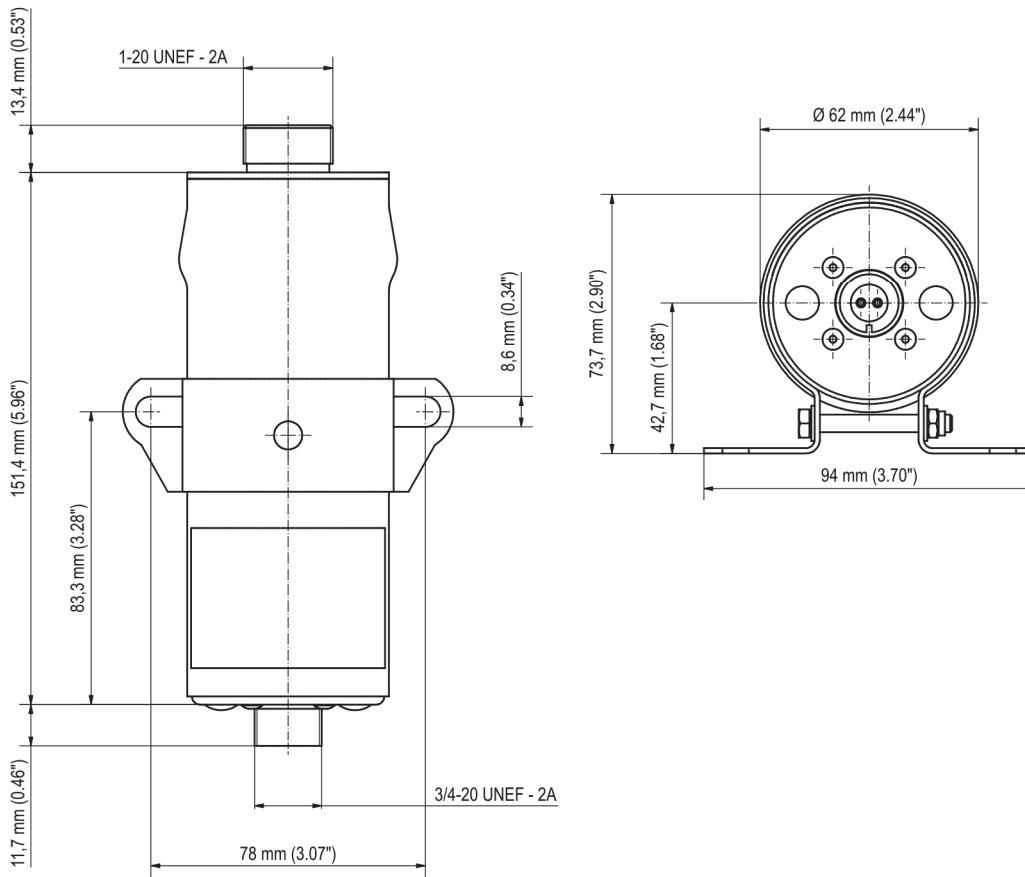
Compatibility

- Compatible ignition controllers MIC3 series, MIC4 series, MIC5 series
- Compatible technologies MOST¹⁾

1) MOST – MOTORTECH Output Stage Technology used in MOTORTECH ignition controllers of MIC3 series, MIC4 series, MIC5 series.



Overview Drawings



Coil Circuit Diagram

