

Spark Plug

B2324

Dimensions

• Length	108.4 mm (4.27")
• Diameter	14.25 mm (0.56")
• Thread reach	19.0 mm (0.75")
• Thread size	M22x1.5
• Wrench opening	20.8 mm (13/16")

Electrode

• Electrode design	Type J
• Alloy of center electrode	Iridium
• Electrode gap	0.25 mm (0.01")

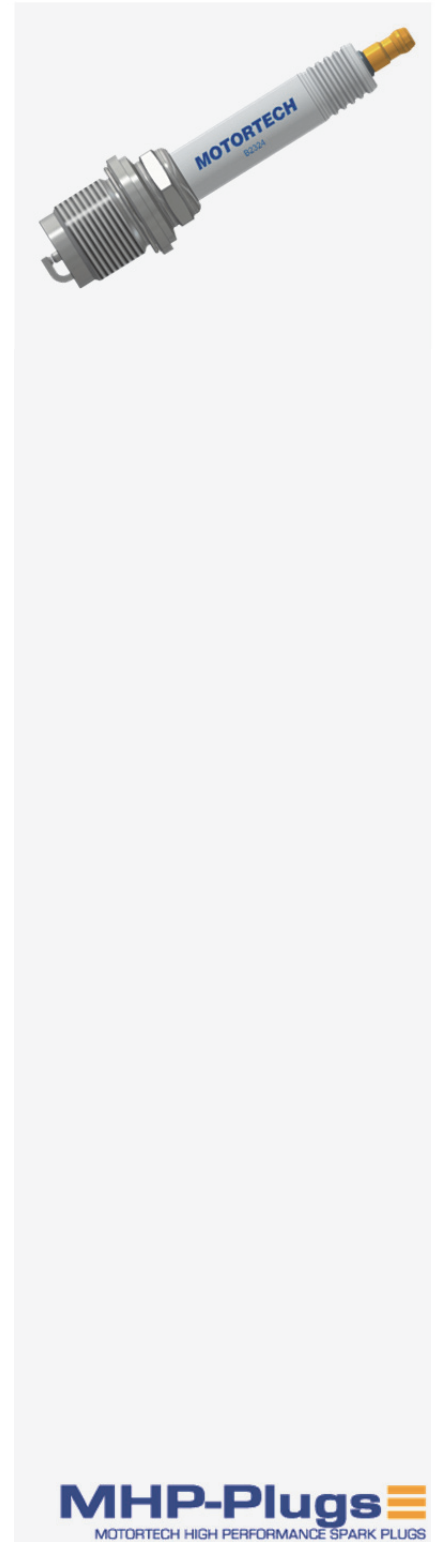
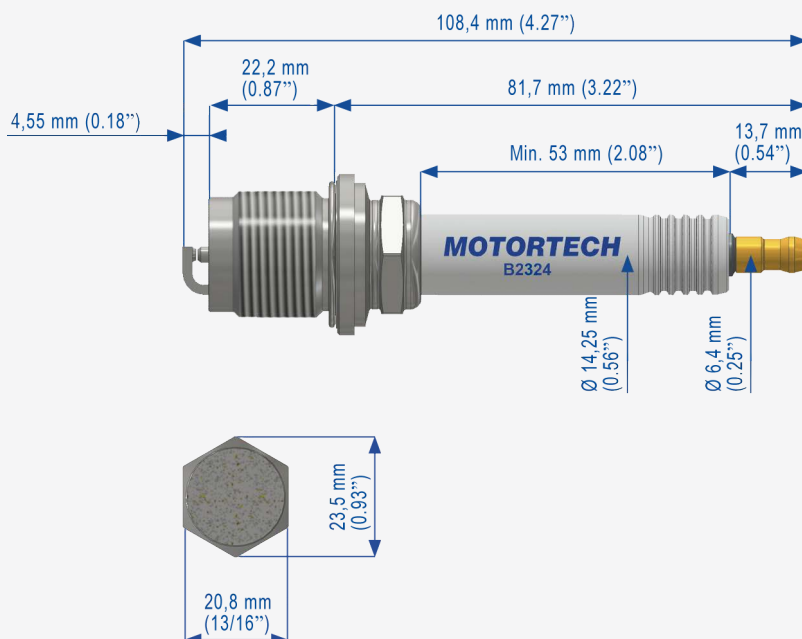
Mechanical Data

• Connection	SAE
• Torque	70 Nm* (51.6 lb-ft*)

Electrical Data

• Resistance value	3 kΩ to 12 kΩ
--------------------	---------------

* Value for cylinder heads made of cast iron. Please note the torque specified by each engine manufacturer.



MHP-Plugs
MOTORTECH HIGH PERFORMANCE SPARK PLUGS