

## I Throttle Body

P/N 30.41.200-D-HT, P/N 30.41.205-D-HT

### Variations

- Standard diameters D of the throttle (*see drawing*)  
100 mm (3.94"), 105 mm (4.13"),  
110 mm (4.33"), 115 mm (4.53"),  
120 mm (4.72"), 125 mm (4.92")
- Possible diameters of the throttle  
98 mm (3.86") to 125 mm (4.92")

### Dimensions

- Length/width of mounting flange  
179 mm (7.05")
- Hole spacing on the mounting flange  
126 mm (4.96")
- Height of mounting flange  
110 mm (4.33")

### Gasket (P/N 30.41.200-D-HT only)

- Type  
O-ring
- Inside diameter  
130 mm/148.82 mm (5.12"/5.86") \*
- Cross section  
5 mm/3.53 mm (0.20"/0.14") \*

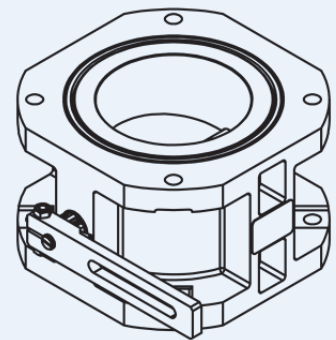
\* 148.82 mm x 3.53 mm ( 5.86" x 0.14") only for  
P/N 30.41.200-125-HT

### Weight

- P/N 30.41.200-100-HT, P/N 30.41.205-100-HT  
3.6 kg (7.94 lbs)
- P/N 30.41.200-105-HT, P/N 30.41.205-105-HT  
3.4 kg (7.50 lbs)
- P/N 30.41.200-110-HT, P/N 30.41.205-110-HT  
3.4 kg (7.50 lbs)
- P/N 30.41.200-115-HT, P/N 30.41.205-115-HT  
2.9 kg (6.39 lbs)
- P/N 30.41.200-120-HT, P/N 30.41.205-120-HT  
2.9 kg (6.39 lbs)
- P/N 30.41.200-125-HT, P/N 30.41.205-125-HT  
2.7 kg (5.95 lbs)

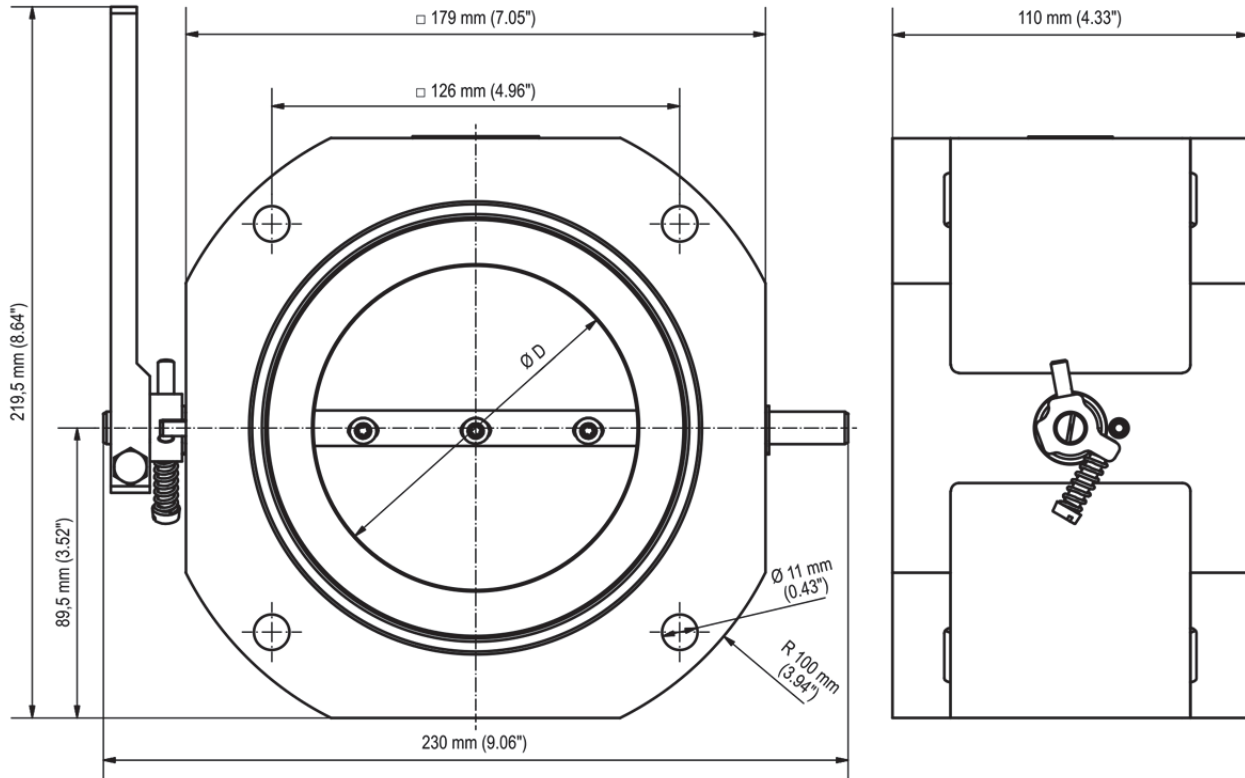
### Mechanical Data

- Maximum rotation angle of the throttle  
80°
- Chemical resistance  
Water, oil, gaseous fuels
- Absolute pressure  
4.5 bar (65 psi)
- Maximum temperature of media flowing through  
+200 °C (+392 °F)



## Overview Drawing

P/N 30.41.200-D-HT



P/N 30.41.205-D-HT

